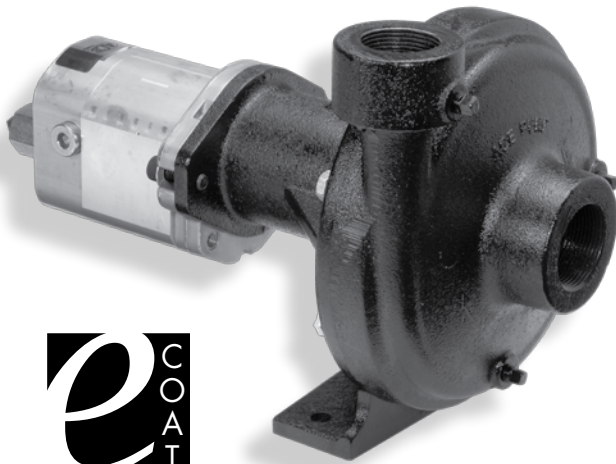




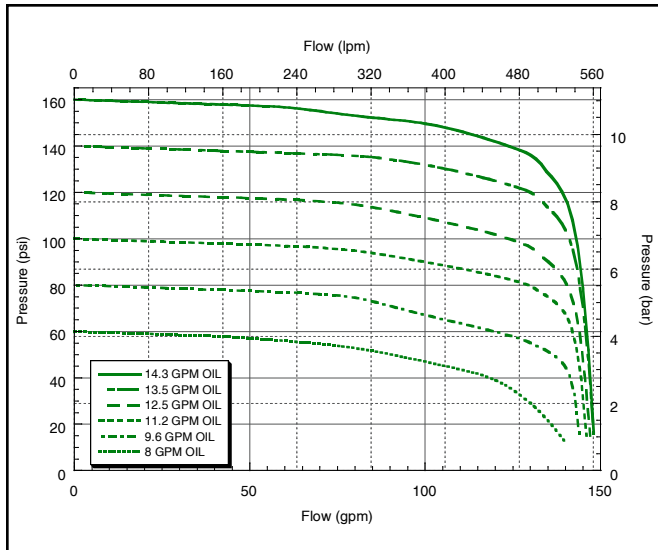
# High Performance Hydraulic Motor Driven Centrifugal Pump



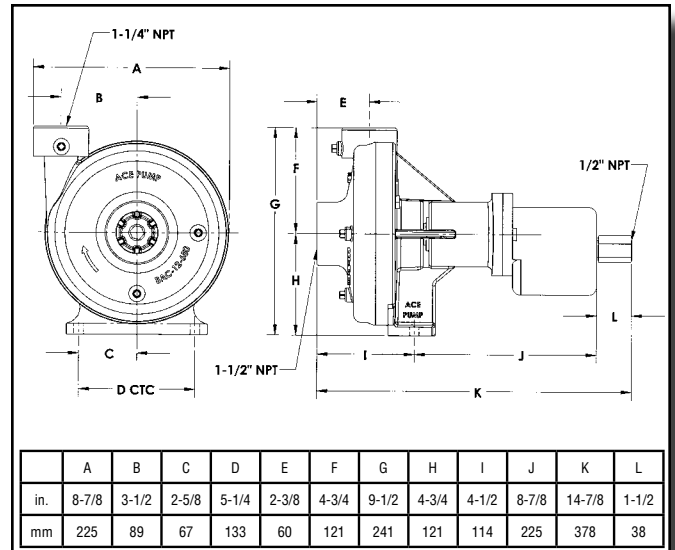
## FMC-650-HYD

- Suction 1-1/2" NPT
- Discharge 1-1/4" NPT
- Maximum Flow 140 GPM (530 LPM) at up to 120 PSI (8.3 BAR)
- Modified Impeller Design - Higher Pressure at Lower RPM
- Maximum Pressure 160 PSI (11 BAR) at 4700 RPM
- High Efficiency Pressure Plated Gear Motor
- Durable E-Coating Inside and Out for Excellent Corrosion Resistance
- Stainless Steel shaft with Integrated Splined Motor Coupler
- Oversized Bearings for Extended Pump Life

## PERFORMANCE CHART

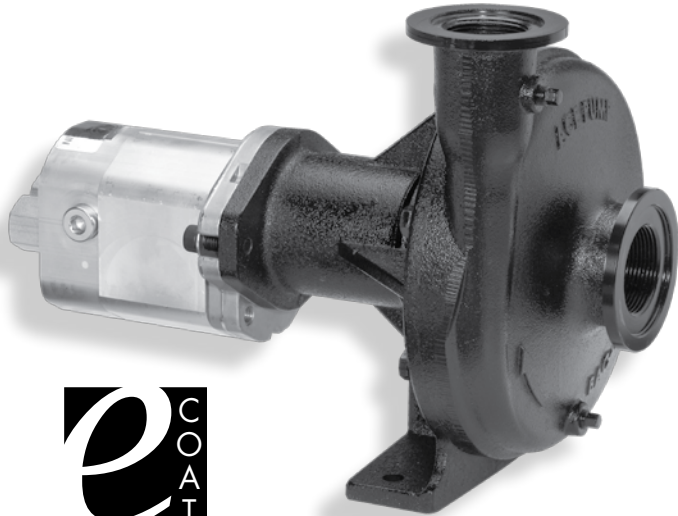


## DIMENSIONS





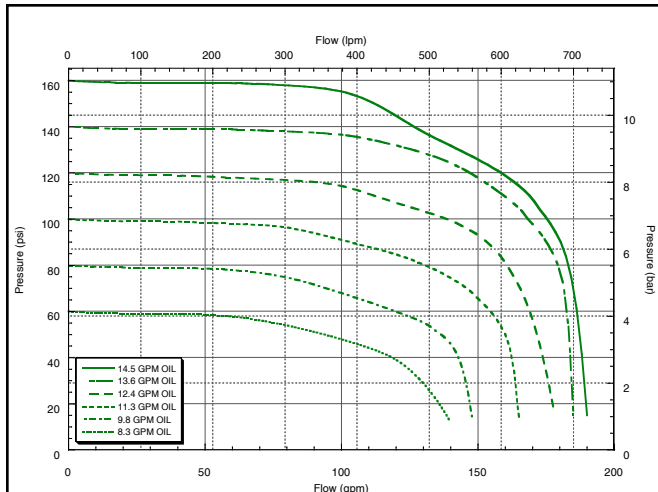
# High Performance Hydraulic Motor Driven Centrifugal Pump



## FMC-650F-HYD

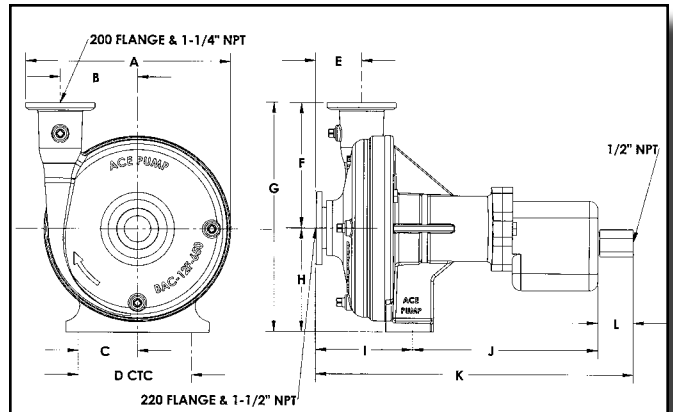
- Suction 220 Flange & 1-1/2" NPT
- Discharge 200 Flange & 1-1/4" NPT
- Maximum Flow 170 GPM (643 LPM) at up to 120 PSI (8.3 BAR)
- Modified Impeller Design - Higher Pressure at Lower RPM
- Maximum Pressure 160 PSI (11 BAR) at 4700 RPM
- High Efficiency Pressure Plated Gear Motor
- Durable E-Coating Inside and Out for Excellent Corrosion Resistance
- Stainless Steel shaft with Integrated Splined Motor Coupler
- Oversized Bearings for Extended Pump Life

## PERFORMANCE CHART



Note: Performance with flanged connections and full size plumbing.

## DIMENSIONS



	A	B	C	D	E	F	G	H	I	J	K	L
in.	9-1/4	3-1/2	2-5/8	5-1/4	2-1/8	5-3/4	10-1/4	4-1/2	4-1/4	8-3/4	14-3/4	1-1/2
mm	235	89	67	133	54	146	260	114	108	222	375	38